

NEW!

THE MAXI-LIFT EASY-CORE™

MAXIMUM DUTY BELT CORE
Up To 3X Stronger Than Wood Cores



Maximum Durability
Maximum Strength
Maximum Life



*Patent Pending

Maxi-Lift Inc.®

800.527.0657
MAXILIFT.COM

16400 Midway Rd, Addison, TX 75001 P.O. Box 70008, Dallas, TX 75370-0008 | Local 972-735-8855 | Fax 972-735-8896 | email: info@maxilift.com



EASY-CORE™

Maximum Duty Belt Cores - "Lock and Roll"

*Patent Pending



In Stock & Ready to Ship!



The Most Advanced Belt Core Innovation

The MAXI-LIFT EASY-CORE sets a new precedent in belt core technology, with greater strength, longer life, and easier installation all wrapped up in a single plastic core. The EASY-CORE is up to 3X stronger than wood cores, can be used over-and-over-and-over, and can be installed quickly.

- **Engineered for Maximum Strength** - Up to 3X Stronger
- **Designed for Easy Installation** - Interlocking Modular Design
- **Created from 100% Recycled Plastic**
- **Inspired for Less Mess** - No wood Splinters, or Wood Dust
- **Innovated to Save You Time and Money**

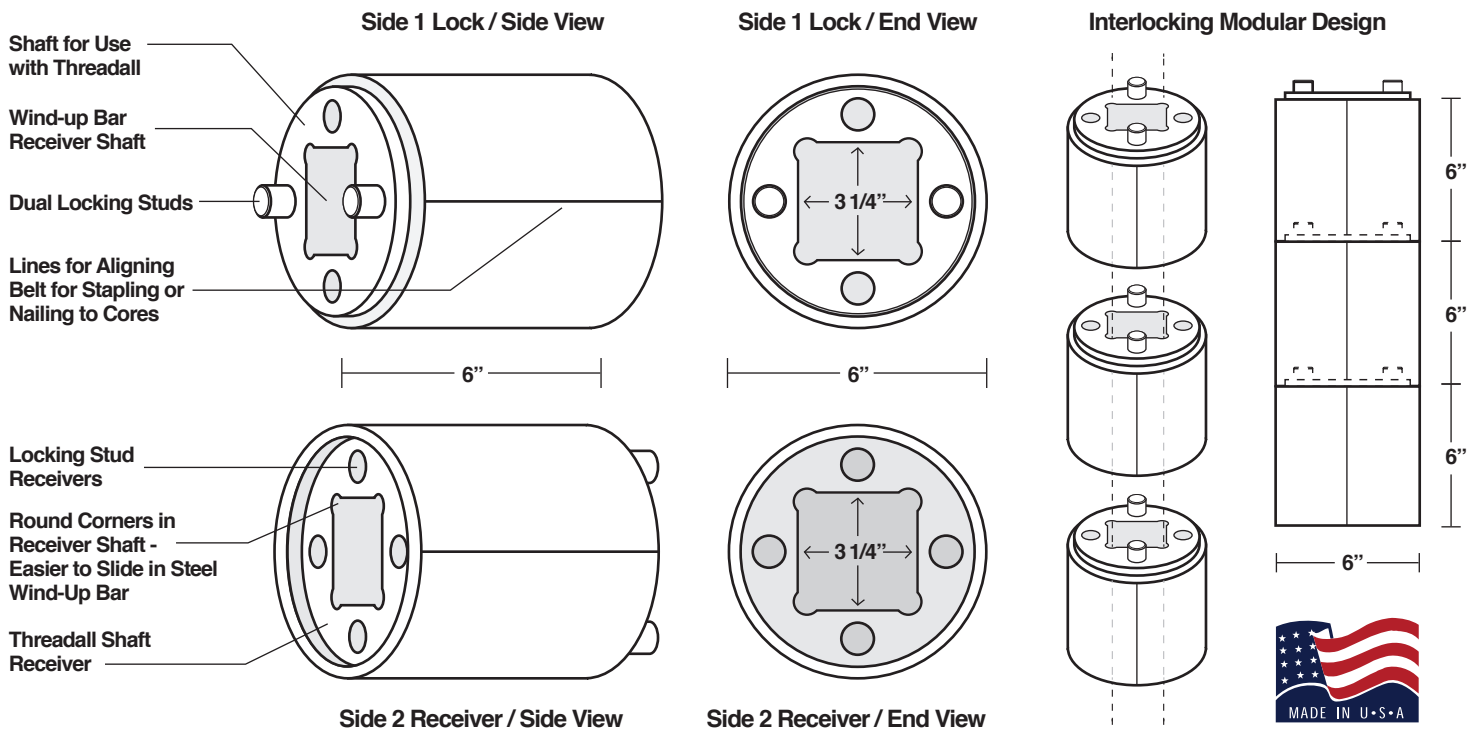
FEATURES & BENEFITS

- | | | |
|---|--|------------------------------------|
| • 6" Interlocking Parts - Create Any Length | • Impact / Wear Resistant | • Light Weight |
| • Reusable / Extended Lifespan | • Ease of Use / Installation: Smooth Surface / Less Friction | • Non-Sparking |
| • Heavy Duty Design | • Eliminates Twisting / Parts Line-up Correctly | • Corrosion and Moisture Resistant |



Weight: 3.1 lbs Size: 6"x6"
Other Sizes Available Soon Call For Details!

DESIGN FEATURES:



*Patent Pending