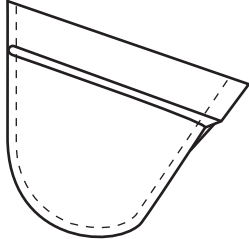
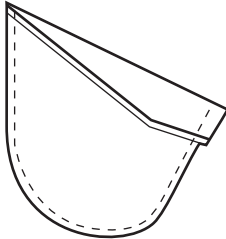
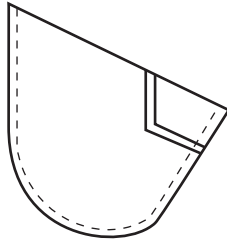
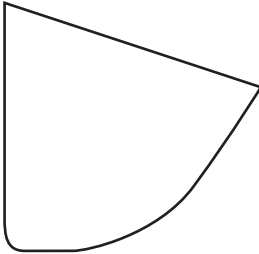
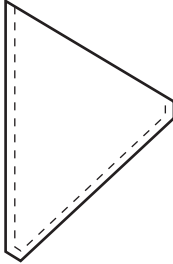
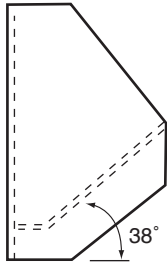
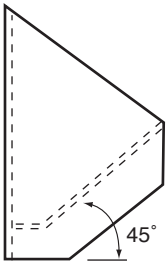
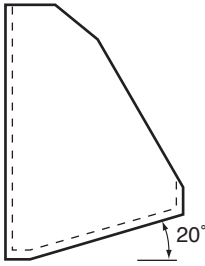
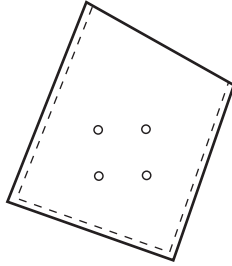
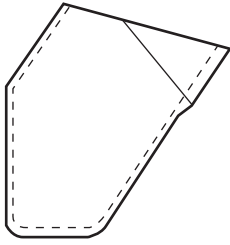
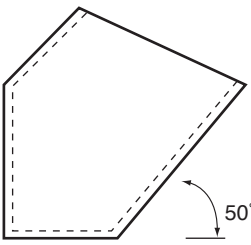
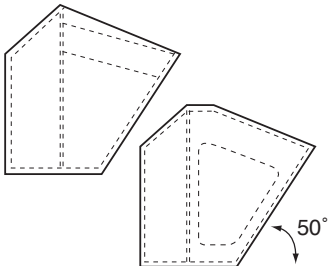


END CAP PROFILES

 <p>MAXI-TUFF AA (P)</p>	 <p>DI-MAX AA (DI)</p>	 <p>AA STEEL (M)</p>
 <p>TIGER-TUFF (P)</p>	 <p>MAXI-TUFF MF (P,M)</p>	 <p>MF STEEL (M)</p>
 <p>HF STEEL (M)</p>	 <p>LF STEEL (M)</p>	 <p>SC STEEL (M)</p>
 <p>DI-MAX AC (DI)</p>	 <p>AC STEEL (M)</p>	 <p>ACS STEEL (M)</p>

KEY: (P) = Plastic, (M) = Metal, (DI) = Ductile Iron